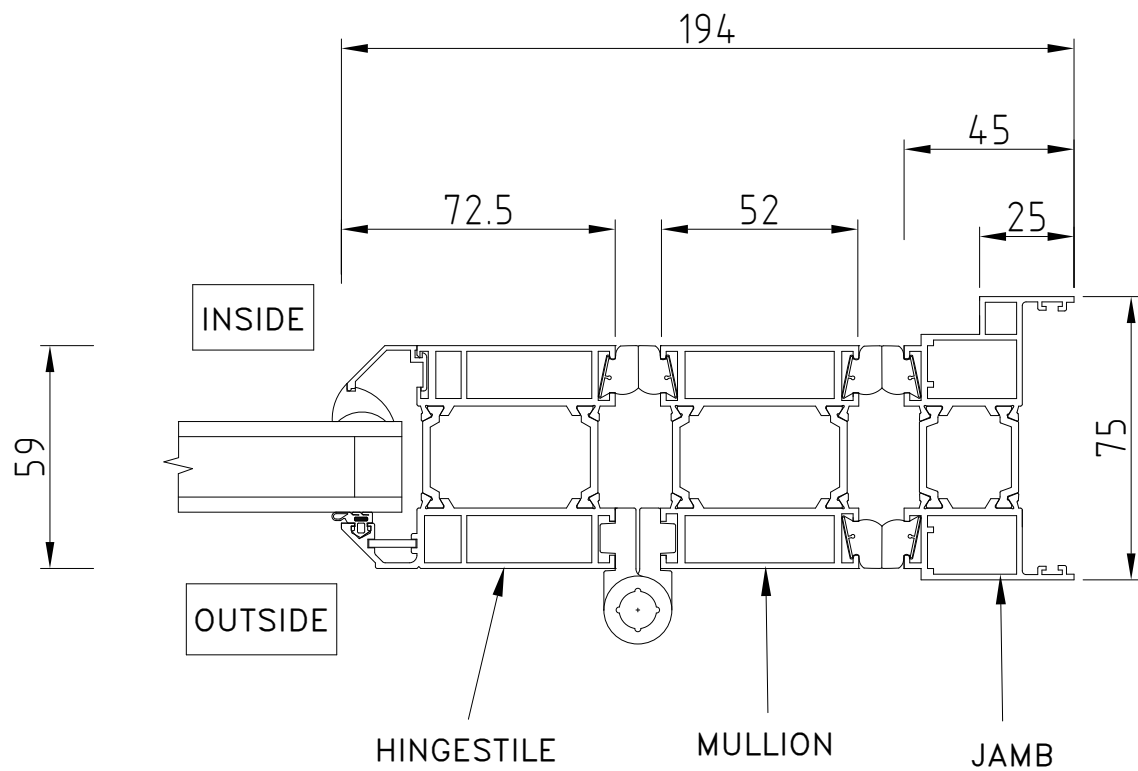


Detail **11**

Standard Mullion Detail



Doors | Standard Mullion Drawing No: OTFD_2.50.1

This information and drawing are the copyright of Origin Frames Limited. Copyright is reserved by them and is issued on the condition that it is not copied or disclosed by or to any unauthorised persons without prior consent of Origin Frames Limited. All dimensions are in mm. Do not scale.

info@origin-global.com
www.origin-global.com

